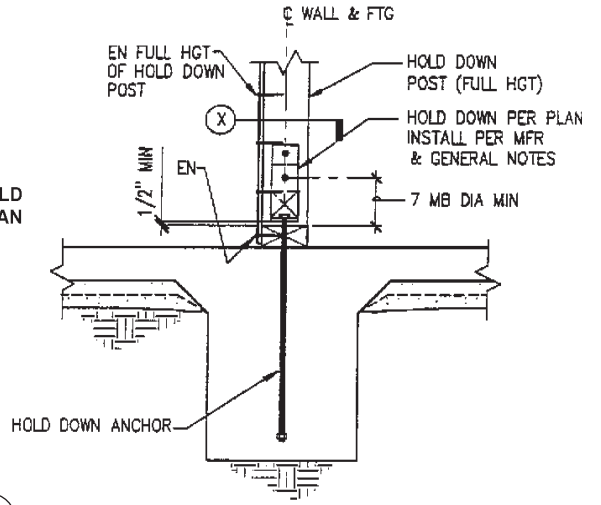
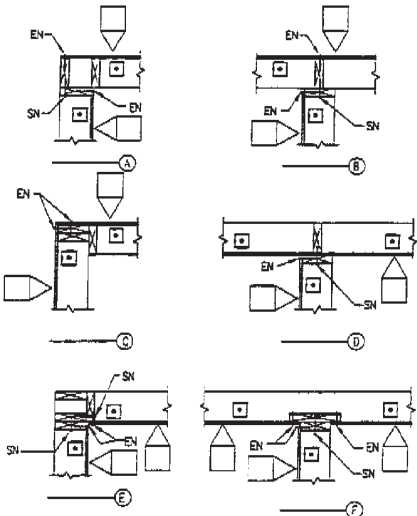


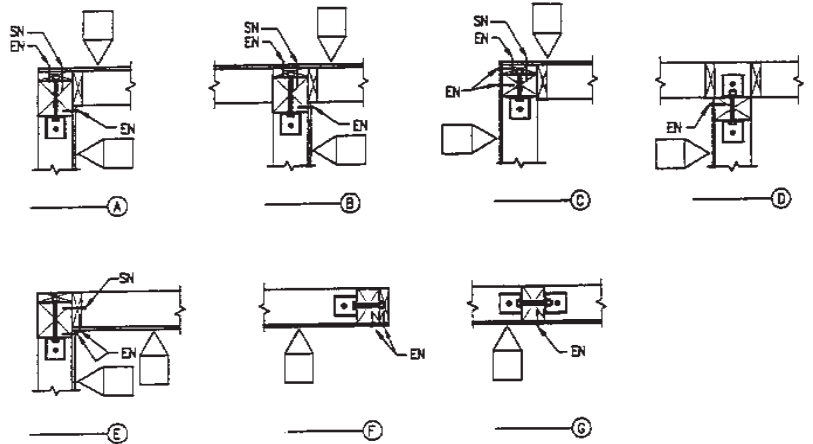
2 NAILED/SCREWED HOLD DOWN



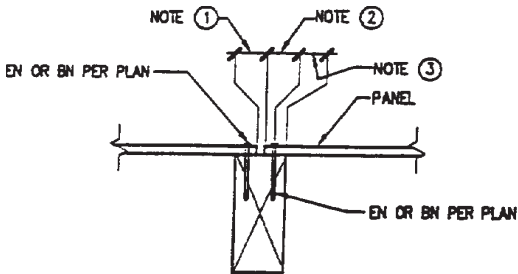
3 BOLTED HOLD DOWN



4 TYPICAL SHEAR WALL INTERSECTIONS (NO HOLD DOWNS)

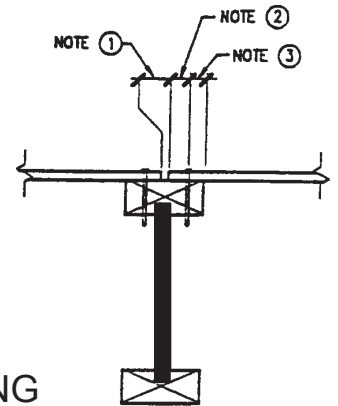


5 TYPICAL SHEAR WALL INTERSECTIONS (WITH HOLD DOWNS)

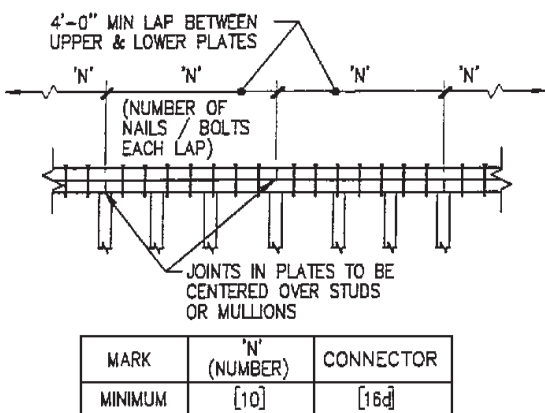


6 TYPICAL WOOD STRUCTURAL PANEL NAILING

- NOTE 1 CLEARANCES PER PANEL MFR
- NOTE 2 [1/2"] MIN PANEL EDGE DISTANCE
- NOTE 3 [3/8"] MIN LUMBER EDGE DISTANCE

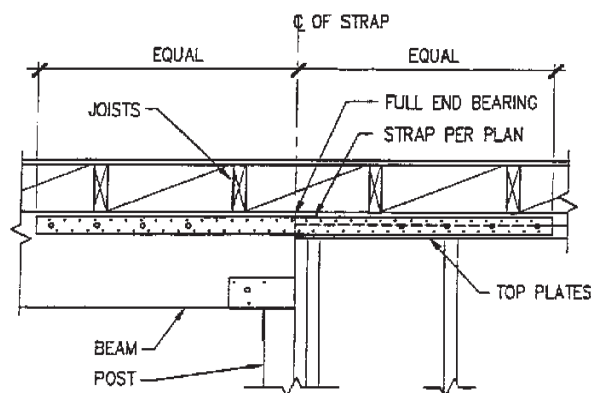


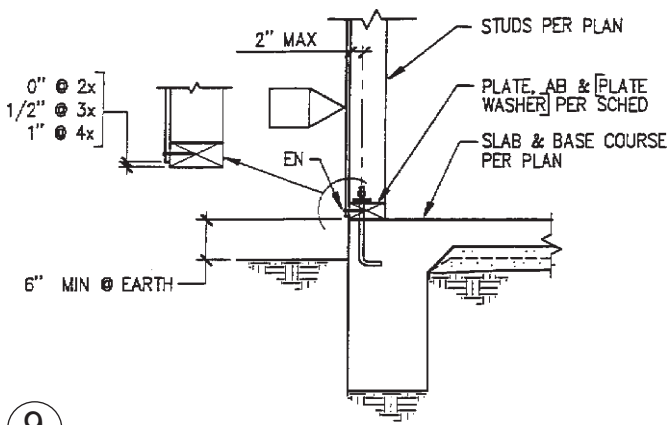
7 2X TOP PLATE SPLICE (NAILED/BOLTED)



8 STRAP - BEAM TO TOP PLATES

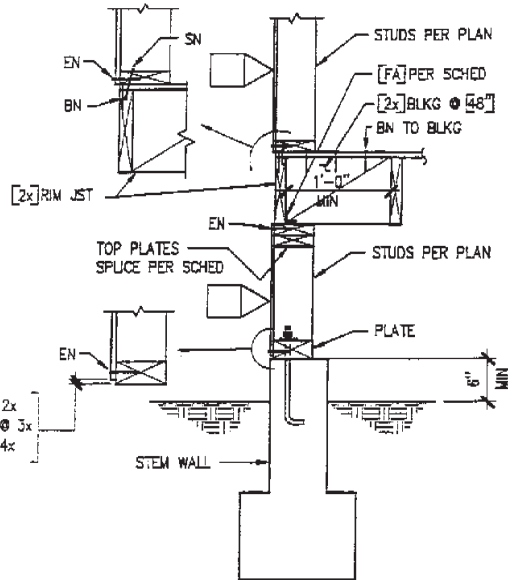
MARK	'N' (NUMBER)	CONNECTOR
MINIMUM	[10]	[16d]





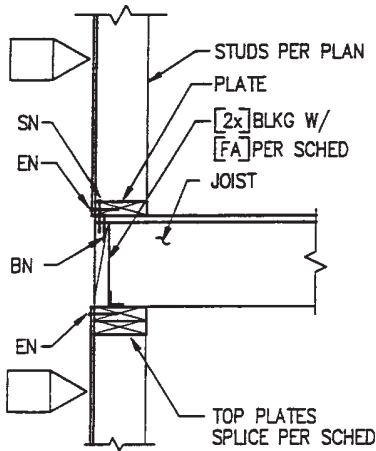
9

EXTERIOR FOOTING



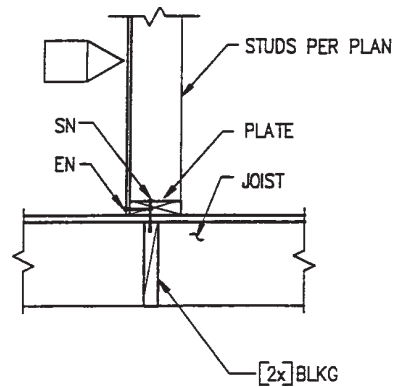
10

EXTERIOR FOOTING W/ CRIPPLE WALL



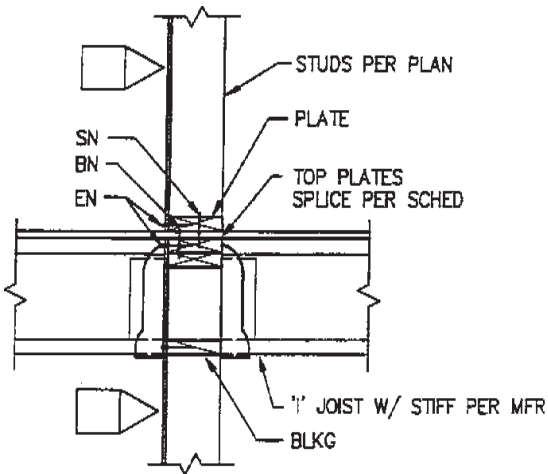
11

EXTERIOR SHEAR WALL W/ BLOCKING



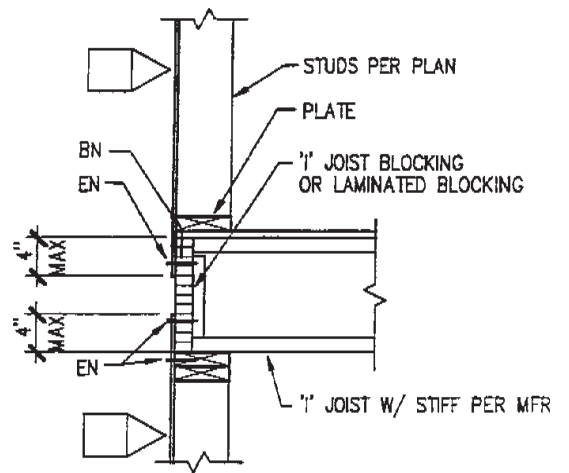
12

INTERIOR SHEAR WALL ABOVE



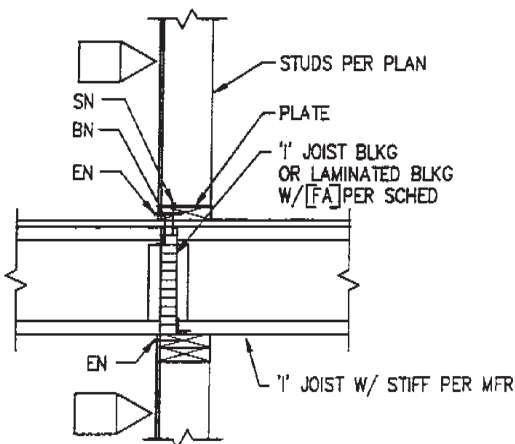
13

INTERIOR SHEAR WALL W/ I-JOISTS



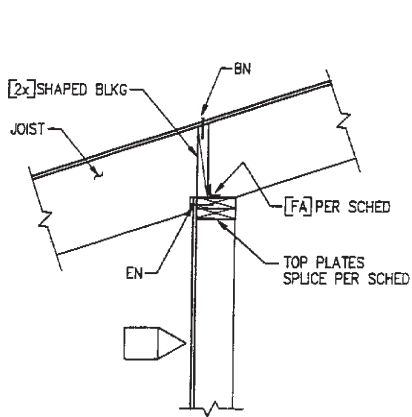
14

EXTERIOR SHEAR WALL W/ I-JOISTS



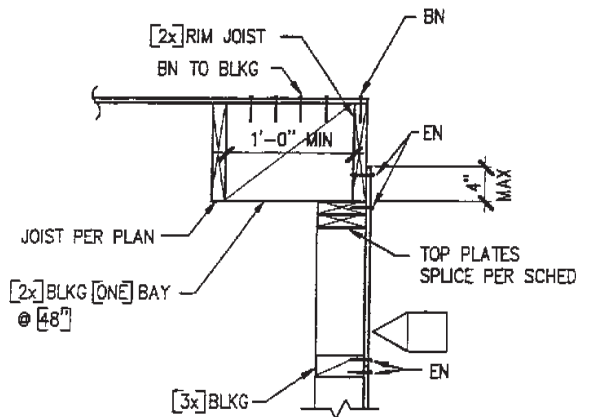
15

INTERIOR SHEAR WALL W/ I-JOISTS



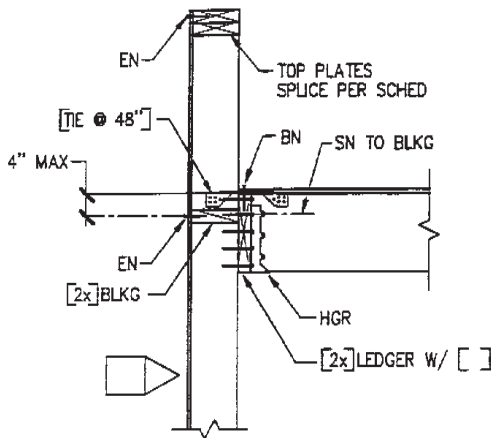
16

JOISTS AT BEARING WALL



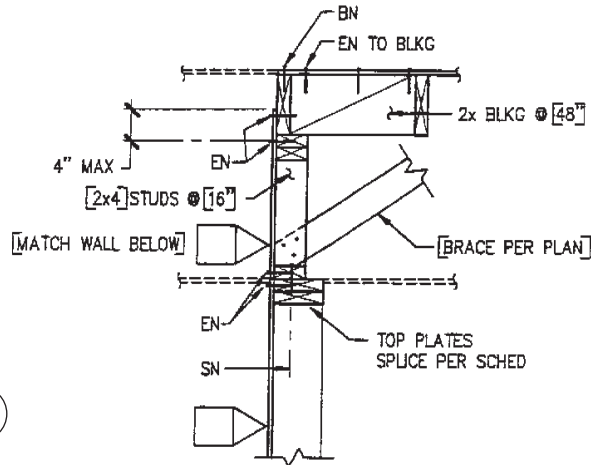
17

RIM JOISTS AT SHEAR WALL



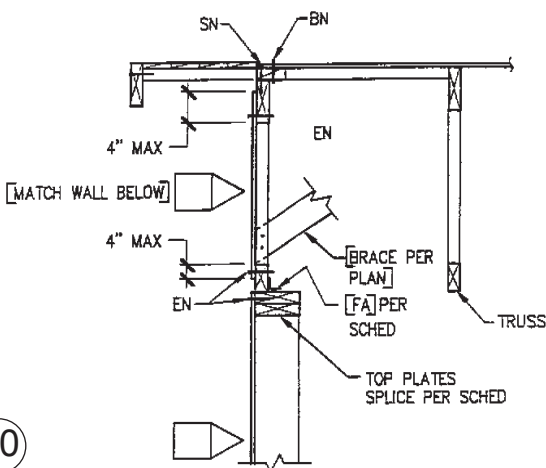
18

BALLOONED FRAMED SHEAR WALL W/ LEDGER



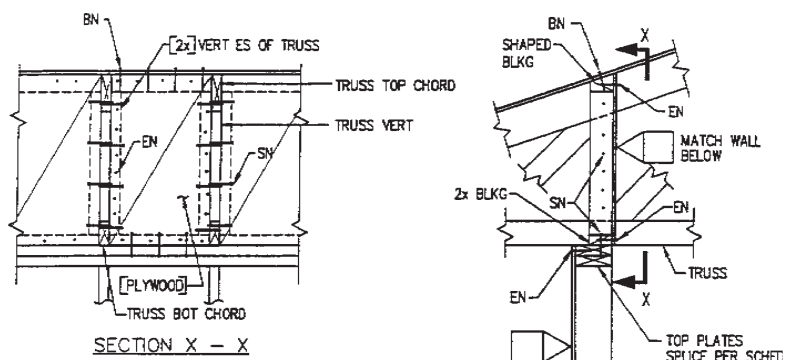
19

PLATFORM FRAMED SHEAR WALL W/ ATTIC RAKE



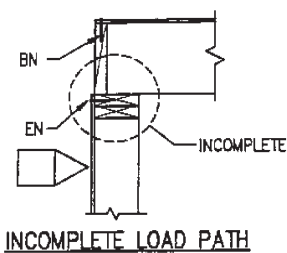
20

GABLE END TRUSS OVER SHEAR WALL

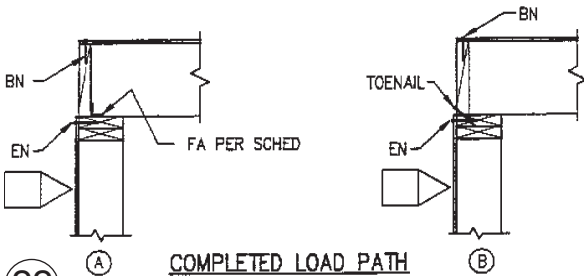


21

INTERIOR SHEAR WALL PERPENDICULAR TO TRUSSES



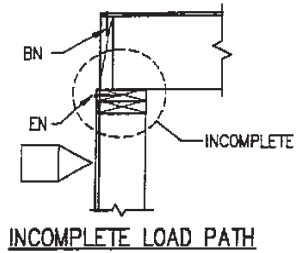
INCOMPLETE LOAD PATH



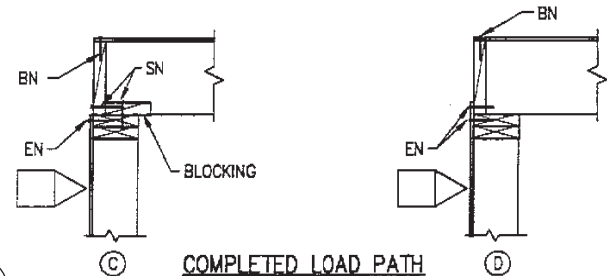
COMPLETED LOAD PATH

22

LOAD PATH EXTERIOR FLOOR/ROOF FRAMING



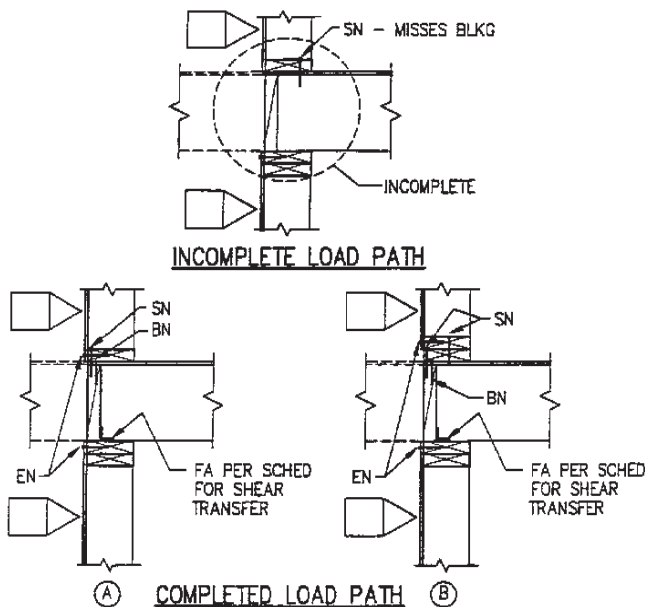
INCOMPLETE LOAD PATH



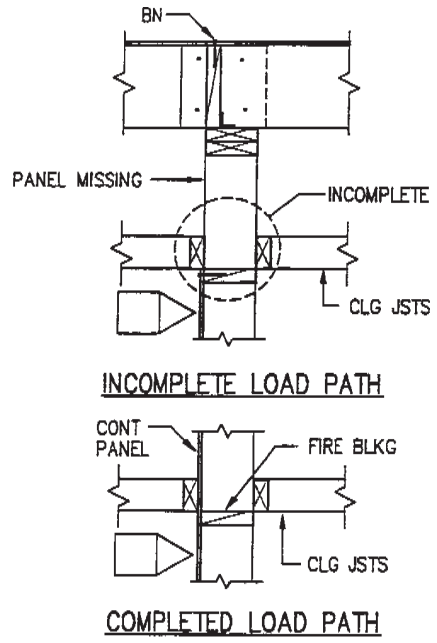
COMPLETED LOAD PATH

23

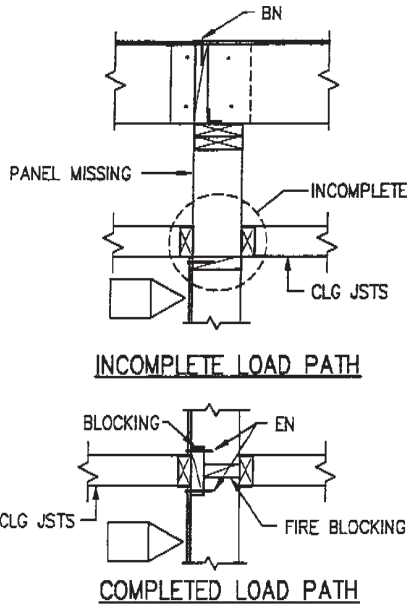
LOAD PATH EXTERIOR FLOOR/ROOF FRAMING



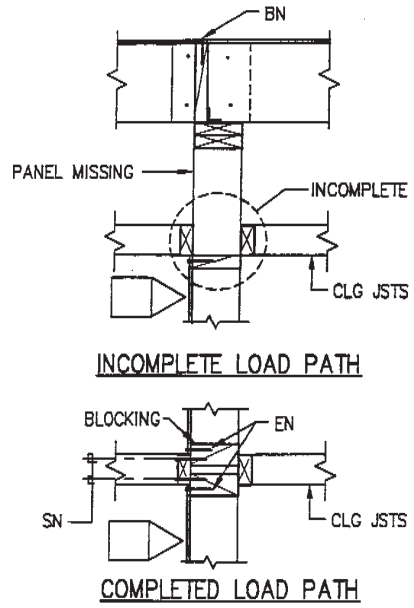
24 LOAD PATH
INTERIOR FLOOR FRAMING



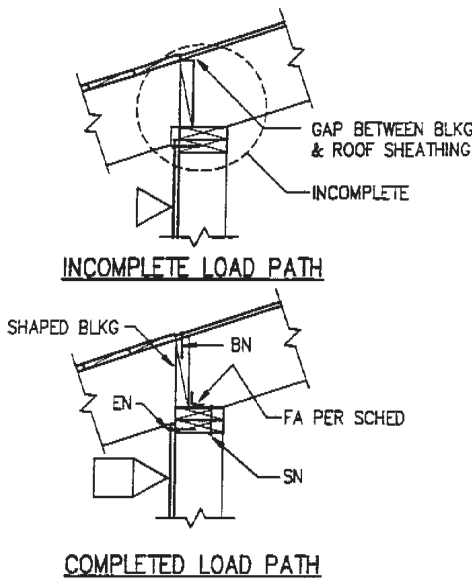
25 LOAD PATH
INTERIOR WALL W/ CEILING JOISTS



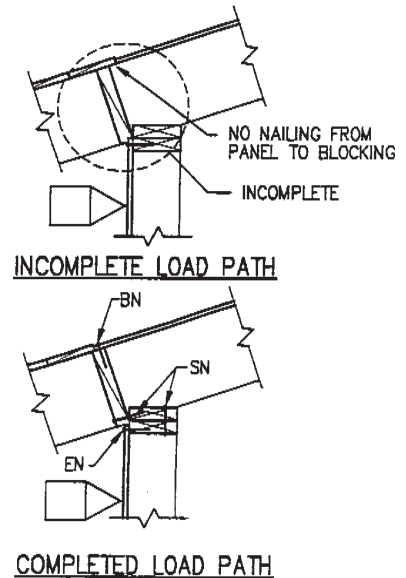
26 LOAD PATH
INTERIOR WALL W/ CEILING JOISTS



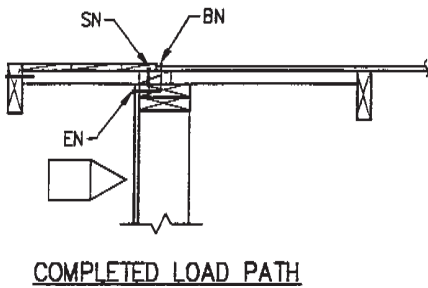
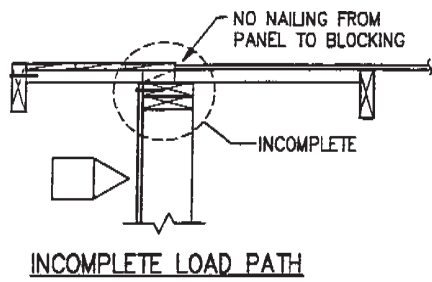
27 LOAD PATH
INTERIOR WALL W/ CEILING JOISTS



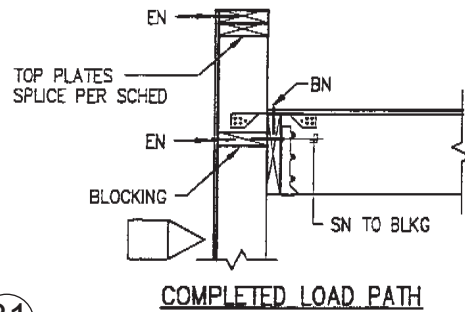
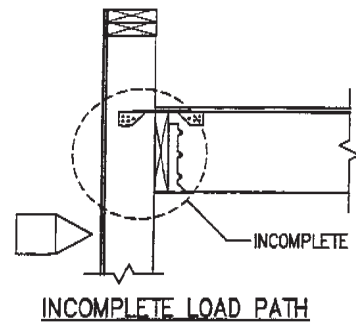
28 LOAD PATH
ROOF JOISTS AT PITCHED ROOF



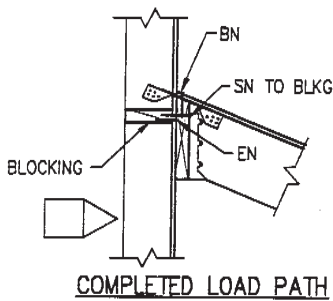
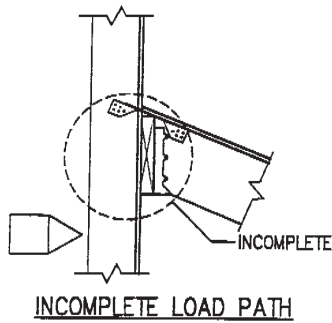
29 LOAD PATH
ROOF JOISTS AT PITCHED ROOF



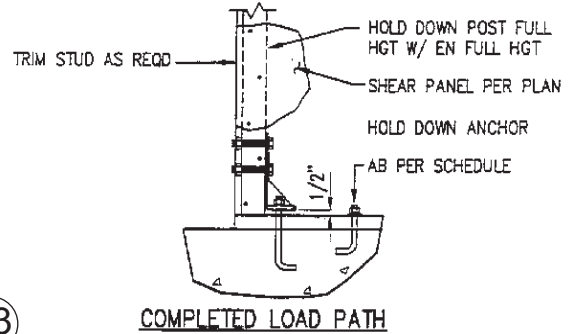
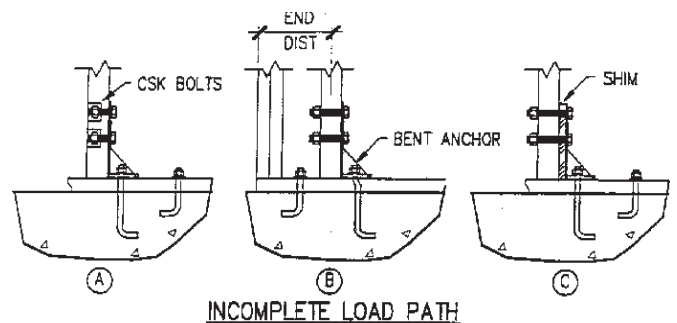
30
LOAD PATH
ROOF JOISTS AT PITCHED ROOF



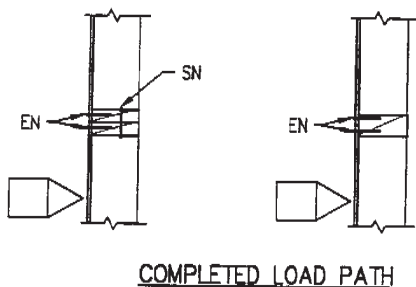
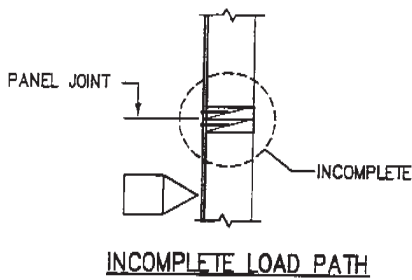
31
LOAD PATH
ROOF JOISTS AT PARAPET



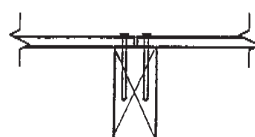
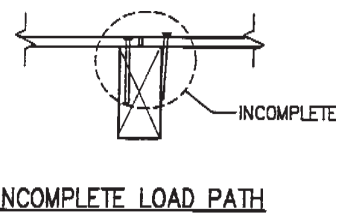
32
LOAD PATH
ROOF JOISTS AT PARAPET



33
LOAD PATH - HOLD DOWN



34
LOAD PATH
PANEL NAILING



35
LOAD PATH
PANEL NAILING